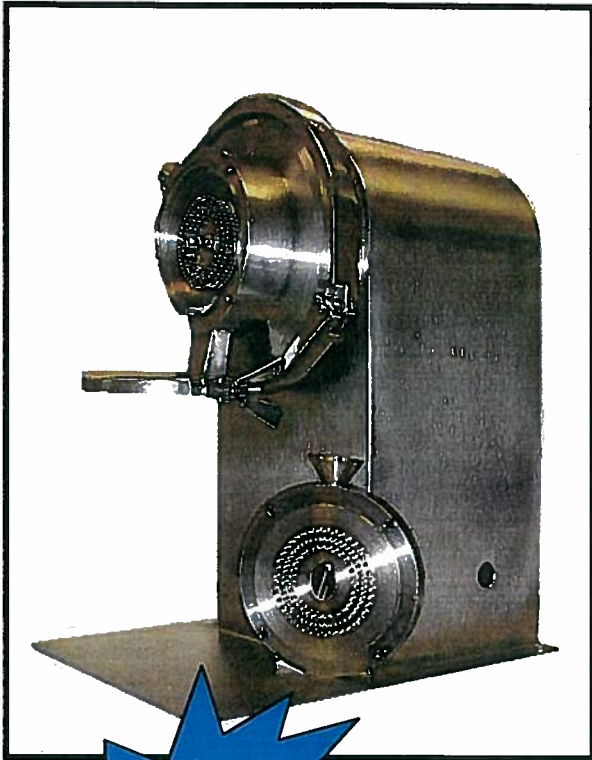




LPM2 Mikro Laboratory Pin Mill

Mikro Lab Pin Mill Model LPM2, complete with the following features:



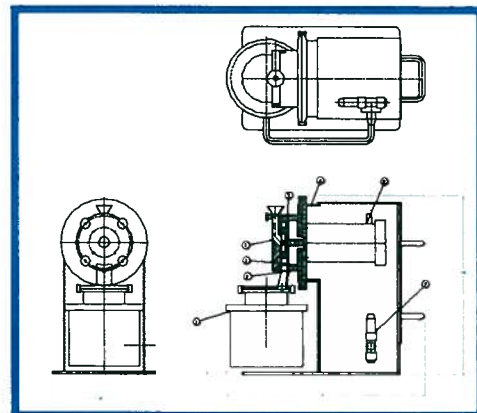
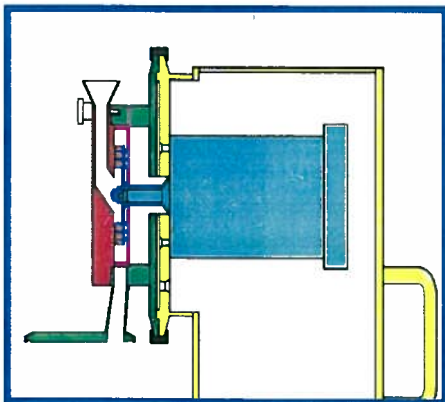
NEW!

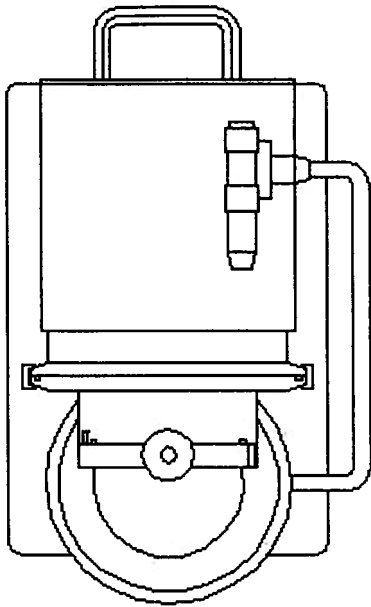
The new Hosokawa Mikro-Lab Pin Mill is ideal for small batches of material, as low as 2 grams. It is specifically designed for laboratory grinding with particle sizes as low as 25 microns. The housing of the unit is designed for easy access and cleaning, with all components easily removed. The compact design makes it ideal for bench top operations. This includes a small product container with filter for maximum collection efficiency/yield.

- a) Fabricated 316 SS construction.
- b) Internals to 0.8 micron Ra.
- c) Pin disc system comprising of a fixed row of pins mounted on the mill housing door and a rotating disc of intermeshing pins.
- d) 304 SS housing and guard for motor
- e) Removable infeed cover with funnel inlet, including hand tightened knurled knobs. Hinged door available as an option.
- f) Inverter duty direct drive motor, ½ HP, 230V/3PH/60HZ, 36,000 RPM.
- g) Magnetek variable speed inverter, 10:1 turndown ratio. Supplied in control panel described below. Maximum disc speed: 36,000 RPM.
- h) EPDM seals/gaskets for door seal and base seal
- i) Mill door with proximity type limit switch
- j) Filter housing approximately 3 liter in volume complete with cover including connection clamp for connection to discharge of pin mill.
- k) NEMA 4X control panel complete with variable speed drive for mill motor including displays for mill speed and mill rotor amperage.

Design Options Available:

- Nitrogen inert design complete with unit in a flex isolator
- Several feed mechanisms available; vibratory, volumetric or gravimetric or a manual hand crank feeder





**Laboratory Pin Mill complete
with enclosed motor housing
and 3 liter container**

