



DRY SEPARATION BY  
DIFFERENCE DENSITY

---

**GSort &  
GSort GL**

***MOGENSEN***



## GSort GL Highlights

---

- ▶▶ Direct **CAPEX** : Specific capacity/investment
- ▶▶ Indirect **CAPEX**: Cost of installation (two heights available, with and without sunken heavy).
- ▶▶ **OPEX**: Direct maintenance costs kWh/t\*
- ▶▶ Lead time improvements.
- ▶▶ Modularity: Adaptability.

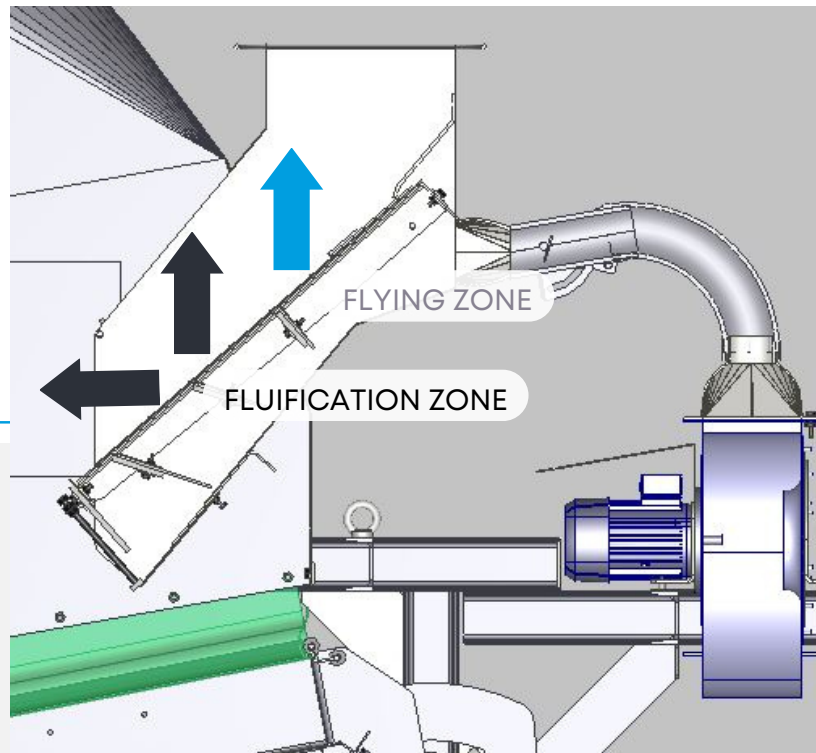
*\*Metric ton*

Parameter/Model	GSort GL	Standard Densimetric Table
T/h*m width compost 35% humidity	13	6.5
Compost purity %	99	98
Compost losses %	2 to 3	3 to 5
Consumption kw/ton compost	1.75	2.5
% compost extracted by the filter in a specific case of moisture compost 35%	>40	<25
Cleaning interval of the treatment bottom	>3 days (sandwich deck)	8h
Machine downtime for exchanging the Treatment Bottom	5 min	40 min
Cost reduction in direct investment measured in t/(h*m*EUR) vs standard versions	30%	0

## Advantages of GSort versus standard tables: KPIs



Explore more advantages

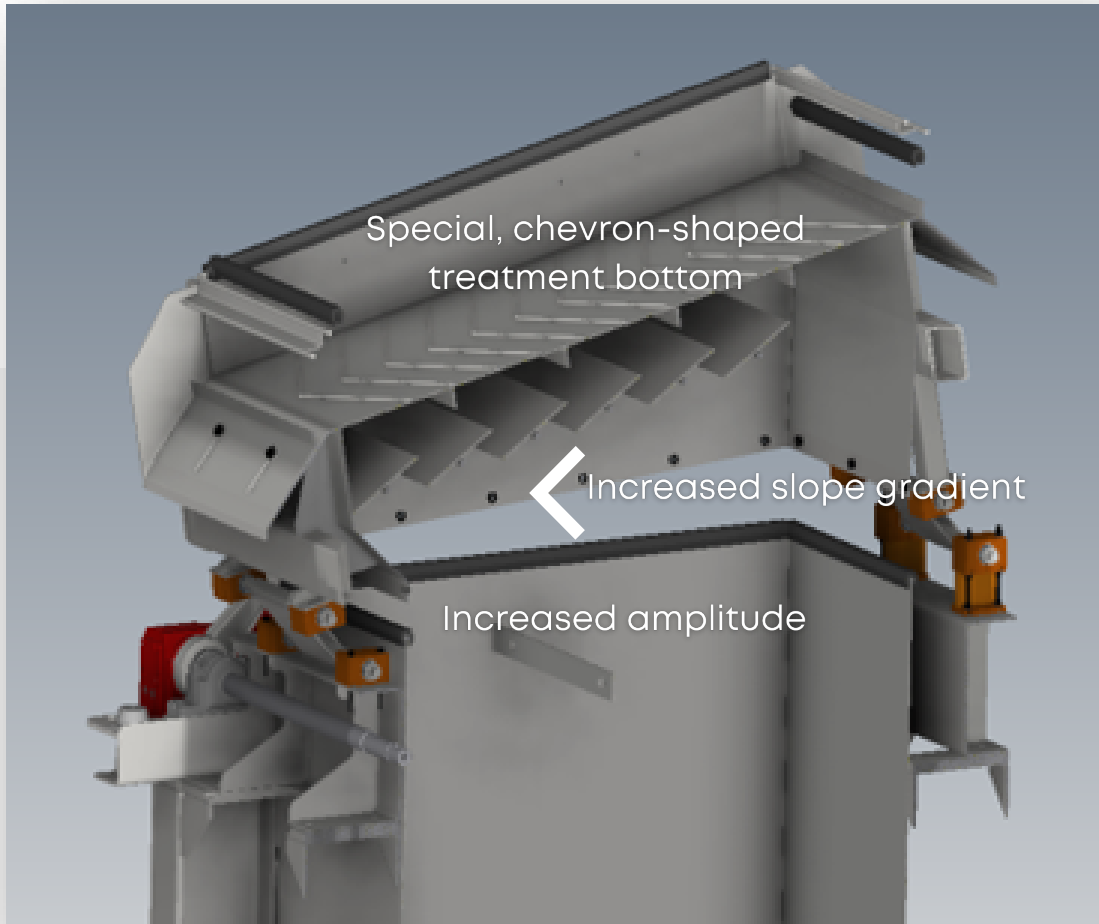


## New Fluidized Input

GSort GL combines fly speed and fluidized speed in the feeding chute leading to an increase in the table's capacity with a significant benefit as it is possible to load more inlet material (Ton/hour per meter width of the table) while reducing the kWh/t.

- ▶ **More material per table meter (direct CAPEX).  $t/(h \cdot m \cdot EUR)$**
- ▶ **OPEX reduction (kWh/t)**

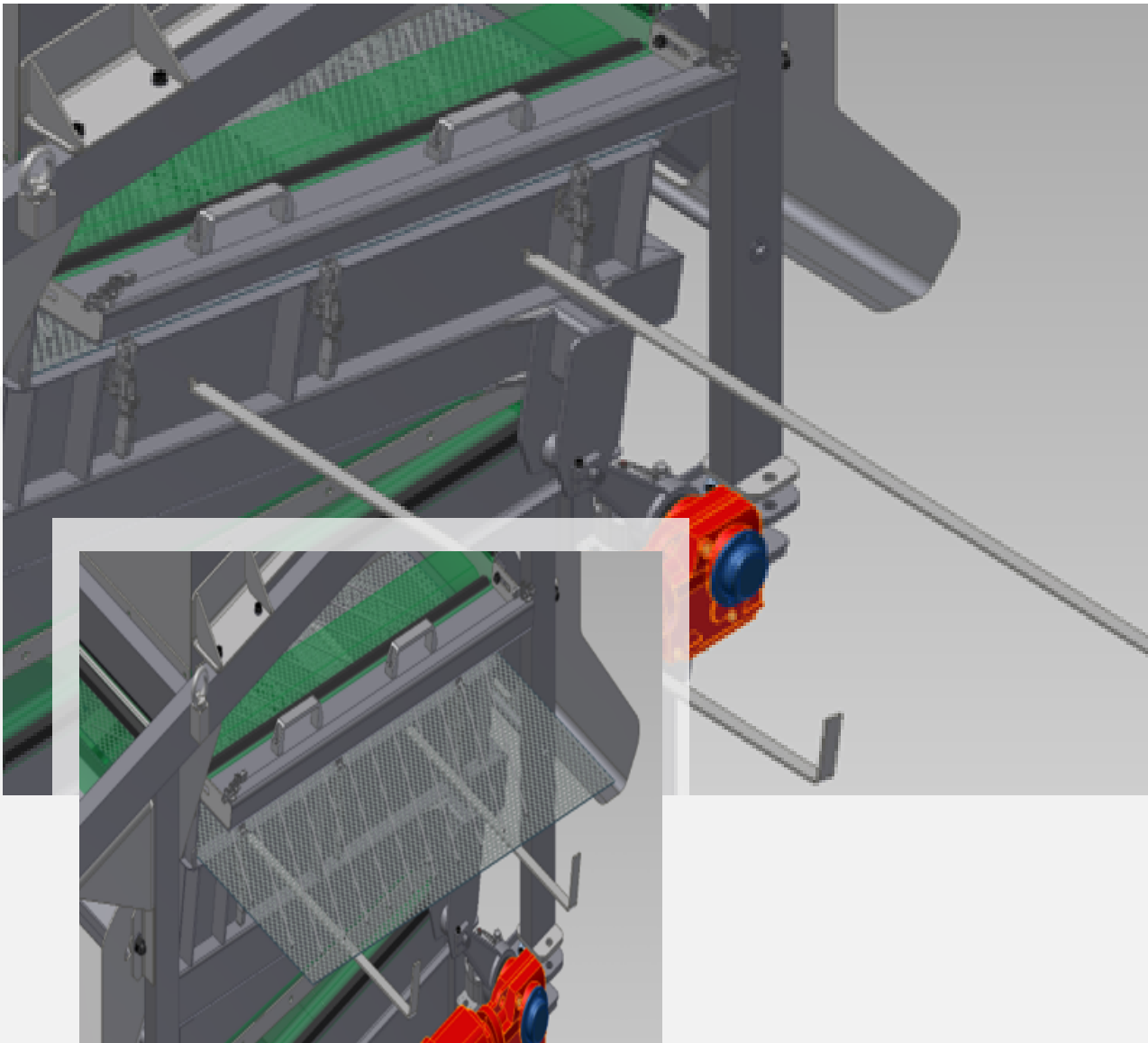




## Enhanced machine base and increased inclination

---

GSort GL's cutting-edge design features unique advancements and improvements to the machine inlet, treatment deck design, and air distribution system. These upgrades provide many benefits and provide an optimum sorting experience.



## Easy Maintenance

---

The new air distribution system provides greater flexibility as it's easily adjustable, reducing maintenance time associated with conventional methods.

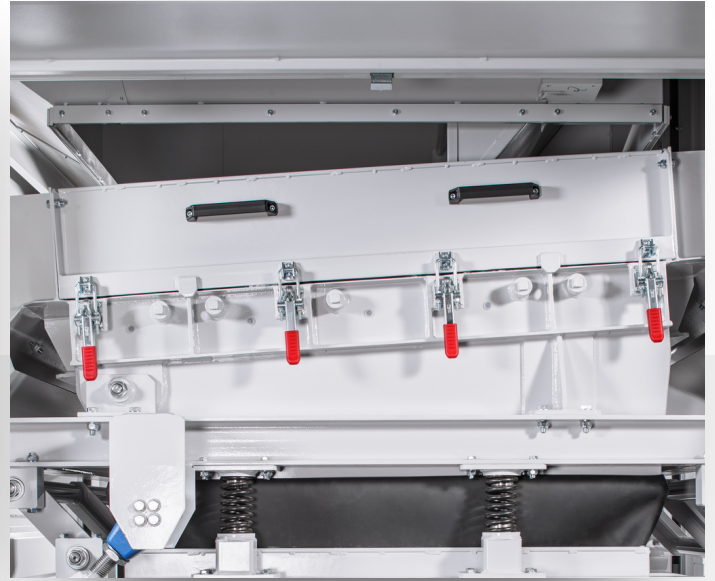
The treatment bottom can quickly and easily be replaced laterally instead of servicing it through in-/outlet openings.



## GSort Highlights

---

- The GSort model offers improved adaptability to changing inlet properties and processing of materials due to its multiple operating levers in the new design.
- It works well with highly abrasive mineral materials like manganese and provides exceptional purity compared to other market separation equipment.
- GSort is the leading solution for dry separation, featuring enhanced dimensioning for its vibratory mechanism, suspension frame, and wall.
- Additionally, it has a user-friendly mechanical maintenance design with side openings on the vibratory box.



## Fields of Application

### **GSort GL**

Light applications

For fluidization speed  
< 4 m/s

For densities  
< 1.7 t/m<sup>3</sup> and  
particle sizes  
< 35 mm

vs.



### **GSort**

Heavy-duty applications

For fluidization speed  
> 3 m/s

For densities  
> 1.3 t/m<sup>3</sup> and  
particle sizes  
> 25 mm

\*The fluidization speed is determined by the material's density and the size or particle size distribution.





## Models

### GSort GL

Table width: 50 cm      **GL50**

Table width: 100 cm      **GL100**

Table width: 150 cm      **GL150**

**GL50 (Basic)**

**GL100 (Basic)**



### GSort

**G06**      Table width: 50 cm

**G13**      Table width: 100cm

**G19**      Table width: 150 cm

 [Discover more](#)



## Process Robustness & Tolerance

---

- ▶▶ **Humidity:**  
GSort and GSort GL are equipment perfectly capable of working with moisture as long as there is no interparticle adhesiveness and there is a free flow between them.
- ▶▶ **Feed composition:**  
GSort and GSort GL provides great stability against feed composition variation.
- ▶▶ **Granulometry:**  
The general range of processing between 0.50 and 80 mm fed in optimal fractions. On minerals, the range is between 1 and 40 mm fed in optimal fractions.



## Industries best suited for

---

### **GSort GL**

Compost MSW (0 - 10 mm)  
Oversized compost MSW  
(10 - 40 mm)  
Glass + organics (0 - 20 mm)  
RDF (0-40 mm)  
Vermiculite  
Anthracite coal  
PET-film  
Rubber and textile  
Fine manganese ore

### **GSort**

Coal  
Magnesite  
Hematite  
Barite  
Celestite  
Attapulgite  
Manganese ore  
Ferrum-manganese  
Aluminum recycling  
Crusted cables  
Crusted demolition waste





## Success Cases


Barite Processing

Watch on 

Hematite Processing

Watch on 

GSort GL

Watch on 

GSort 3D

Watch on 

Watch more videos on 