

Film friction washer

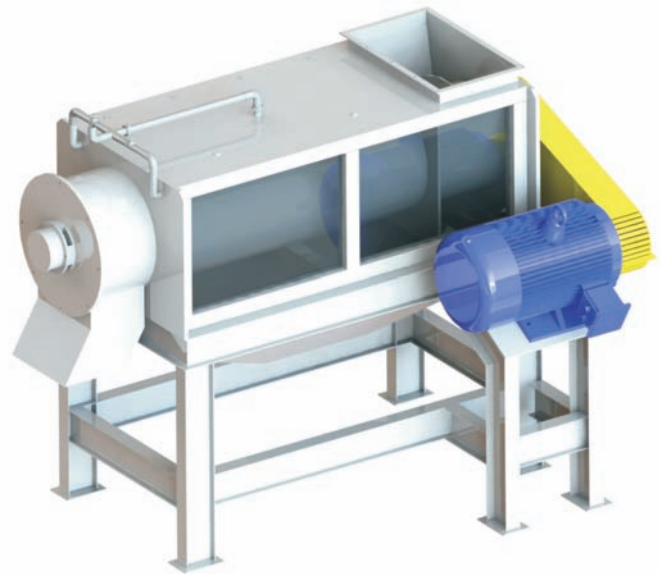
Film centrifuge

Friction Washer is used to wash highly contaminated film flakes.

The friction washer consists of a double-walled trough with a fast running paddle rotor to dewater and clean plastic materials (film flakes, granules and similar materials).

The plastic material with water are fed at the inlet of the trough. The material is washed while being transported to the outlet of the trough. Fines and water are thrown through the screen to the outside while the friction of the rotor cleans the materials.

The centrifuge is discharged at the bottom of the trough. The trough is equipped with removable stainless screens. A rinsing device ensures the automatic cleaning of the screen and of the inner housing.



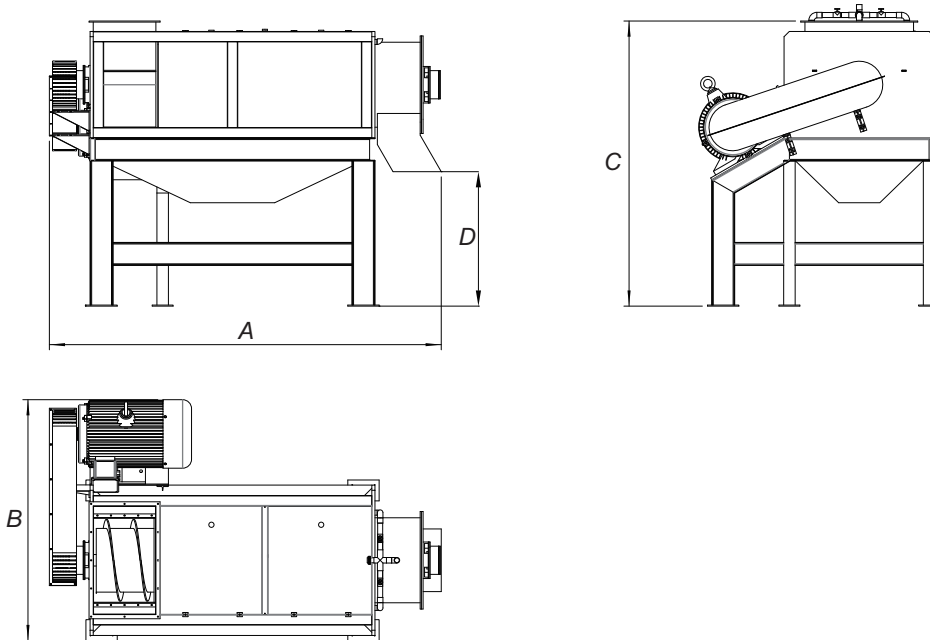
Features:

- Reinforced and interchangeable rotor in order to guarantee a higher machine quality
- Anti wear steel for blades of rotor
- Dedicated geometry rotor makes it possible to avoid blockings with medium-size pieces
- Self-cleaning system for the screen
- The diameter of the screen holes changes according to the type and degree of the contaminants.





HOSOKAWA POLYMER SYSTEMS



Model	FW6055	FW8075
Standard capacity	700kg/H	1400kg/H
Standard motor power	55kw	75kw
Applicable capacity	500-900kg/H	1000-2000kg/H

Model	FW6055	FW8075
L*W*H(A*B*C)(mm*mm*mm)	3450*1700*2000	3752*2306*2730
inlet height(C)(mm)	2000	2730
Outlet height(D)(mm)	1000	1287
Rotating speed	1000rpm	
Blades thickness	10mm	
dia. Of screen holes	3-10mm	
baldes material	anti-wear material	
screen material	stainless steel(SUS304)	

Plastic Recycling Solutions



HOSOKAWA POLYMER SYSTEMS

63 Fuller Way, Berlin, CT 06037 · Tel. (860) 828-0541 · WWW.polysys.com